

PV6901

H.264 Network Video Server (1CH)



PIXORD PV6901 professional H.264 Network Video Server (1CH) provides full control of surveillance platform. The analog video and audio can be compressed and distributed over Intranet or Internet through the network connection. The PV6901 can deliver simultaneous H.264 and MJPEG multiple streams, allowing for optimization in bandwidth and image quality. The live video and audio streams are of the highest quality with video streams available at full frame rate for Full D1 resolution, and can be recorded remotely. Having one USB 2.0 slot supporting external storage, the video/audio can also be recorded in local. It successfully integrates analog system into IP surveillance to remove the barriers of remote monitoring without sacrificing image quality.

MAIN FEATURES

- Built-in Web Server providing Internet capability for remote access
- H.264/MJPEG dual compression formats
- Simultaneous H.264 and MJPEG stream for multiple clients
- Supports up to 30/25 FPS at Full D1 resolution
- RS-485 Interface for PTZ Camera Control (To be firmware upgraded)
- Intelligent Motion Detection
- Digital I/O for Sensor and Alarm
- IP setup by easy IP Installer/DHCP/Static IP
- Event handling trigger by alarm/motion and action to send video clip by Email / FTP
- USB 2.0 Host port support external storage connection for local recording
- IP setup by easy IP Installer / DHCP / Static IP/DDNS
- NTP (network time server) with DST supported which provide accurate unify system time
- Hardware watchdog providing robustness system in critical environment
- Support RTSP Stream for 3G mobile phone live view

PV6901

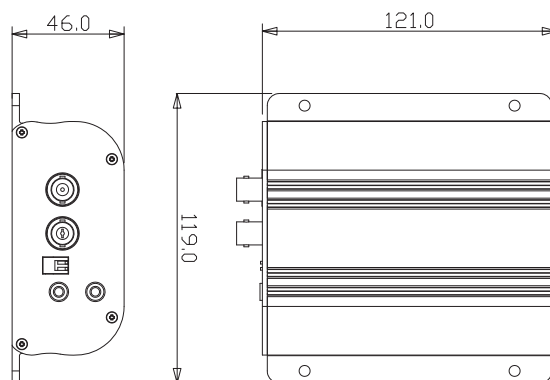
H.264 Network Video Server (1CH)

Specifications

Video Compression	H.264/Motion JPEG	
Video Resolution	Full D1: NTSC = 720 x 480; PAL = 720 x 576 CIF: NTSC = 352 x 240; PAL = 352 x 288	
Bit Rate	64K ~ 6M bits/sec (CBR/VBR configurable)	
Frame Rate	30 FPS for all resolution	
Video Control	controllable frame/ bitrate(bandwidth), VBR / CBR control , RTSP Path	
Analog Video Input/Output	2 x BNC (1 x video input, 1 x video output)	
Pan/Tilt/Zoom control	Yes, supports Pelco-P, Pelco-D, Lilin, Dynacolor protocols	
Event System	Trigger	GPIN, Motion detection, Manual Trigger
	Action	Notified upload via FTP, e-mail and save to USB storage Notification via e-mail External output activation
Local Storage	USB interface for one HDD	
Network Interface	10BASE-T/100 BASE-TX	
Protocols	HTTP,HTTPS, TCP/ IP,IPv4, UDP, SMTP, FTP, DHCP, DDNS, NTP, UPnP, Bonjour,DNS, ARP, ICMP ,RTSP, RTP	
Audio Capability	1x 3.5mm Line in jack, 1x 3.5mm Line out jack	
Power Supply	AC/DC switching power adaptor, input: AC100 ~240V, output: DC 12V/2A	
Operation Temperature	0° ~ 50°C	
Operation Humidity	20% ~ 80% RHG	
Dimension (L x W x H)	121mm x 119mm x 46 mm	
Net Weight	440 g (approximately)	
I/O Connectors	2 x BNC connectors for analog video in / out 2 x Line jacks (Audio In/Out) 2 x USB 2.0 Host ports for external storage 1 x Mini-DIN for RS-485(to be firmware upgraded) / Photo-coupled GPIN / Relay GPOUT / Video out 1 x Reset hole to restore factory defaults 1 x RJ-45 Ethernet connector with 2 LEDs (power/status) 1 x DC In connector 1 x Dip Switch for 75Ω	
Package Contents	1 x CD (manual and software) 1 x Mini Din to Terminal block extend cable 1 x AC/DC Power Adaptor 1 x Warranty Card	

Dimension Diagram

Unit:mm



Front Panel/Rear Panel

