

NVR16CH Network Video Recorder

High Performance Network Video Recorder for SMB Applications



- Manage up to 16 Network Cameras
- Compatible with Major Brand Cameras
- High Quality Live/Playback Video
- Export Playback Videos to AVI
- Advance PTZ Control
- Linux-embedded Operating System
- Various Types of Event Alerts
- Smart Camera Search
- User Level Access Control
- Pure Web Based Administration

The PiXORD NVR16CH is designed for use within surveillance system, and performs record and playback pictures from network cameras in the system. It is a recording device using a hard disk drive to record camera pictures, instead of using video tapes, so that pictures recorded by repeated overwriting will not experience deterioration of the recorded picture quality. Up to 16 cameras can be connected via a network and recorded. It is possible to perform the settings or operate the NVR by using a web browser installed on a PC connected to a network, or remote controller. Recorded video can be played back from remote site by a PC. Up to 4 PCs (web browsers) can access this unit concurrently and it is possible to perform the settings and operate this unit. PiXORD NVR16CH is compatible with PiXORD and other major brand cameras and its ability to automatically search and find the available cameras on the network can greatly reduce effort of expanding the system.

NVR16CH -- Hardware Specifications

CPU and Memory

- ARM9 500Mhz/128MB DDR RAM

Ethernet

- 10BaseT / 100BaseT/1GBaseT and half duplex / full duplex auto-negotiation

HDD

- SATA HDD Slot x 2 (SATA I or SATA II)
- Max. Capacity: 3TB (1.5TB per HDD)

LED

- Cameras/Power/System/Network/HD/Alarm

Buttons

- Reset/Power/Buzzer

Connectors

- USB x 2
- RS-485
- DI/DO Connectors
- RS-232

Power

- 19V DC
- Power consumption: 90W

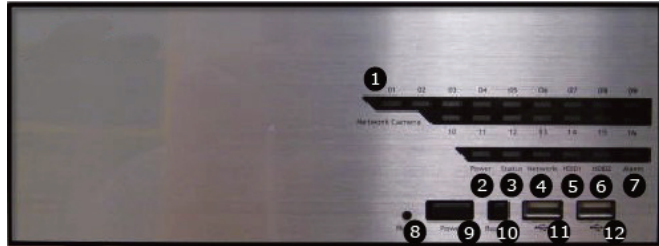
Dimensions

- 220 x 215 x 81 mm

Digital Input and Output



Pin	Signal
1	DCIN
2	GND
3~10	Alarm input
11	Out1
12	Out2
13	Out3
14	Out4
15	RS485+
16	RS485-



- ① LEDs for camera status
- ② Power LED
- ③ System Status LED
- ④ Network Status LED
- ⑤ Hard Disk 1 Status LED
- ⑥ Hard Disk 2 Status LED
- ⑦ Alarm LED
- ⑧ Reset Button
- ⑨ Power Button
- ⑩ Buzzer Stop Button
- ⑪ USB 1
- ⑫ USB 2

Weight

- 10lbs

Temperature

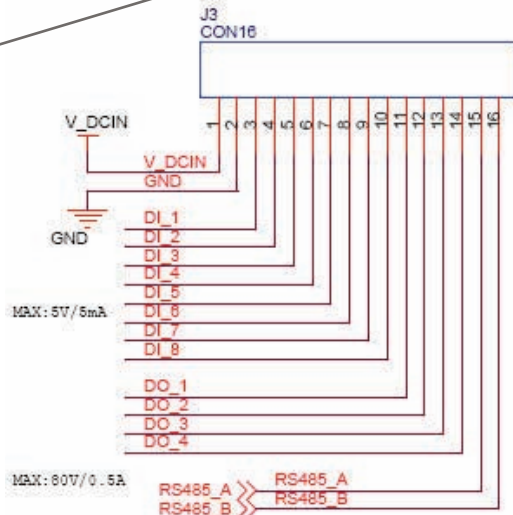
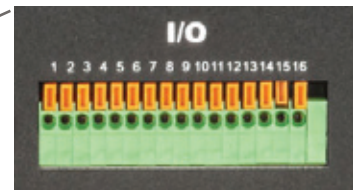
- Operating: 5 °C ~ 45 °C/41 °F ~ 113 °F
- Storage: -40 °C ~ 70 °C/-14 °F ~ 158 °F

Humidity

- 5% ~ 90% (non condensing)

Safety

- FCC Class A/CE/UL



NVR16CH -- Software Specifications

Cameras

Add Camera	Manual/ Smart Camera Search
Max. Channels	16
Supported Brands	PIXORD P600(E)/ P606(W)/ PL621(E)/ PV6901/ PD614/ PD634/ PB630 and other major brand cameras

Video

Compression	MJPEG/MPEG-4 Part 2/H.264
Resolution	HD/MegaPixel/D1/CIF/QCIF
Max. Frame Rate	480 fps @D1 ; 240fps@1.3M ; 120fps@2M

Audio

Streaming Compression	Two-way audio (requires firmware v1.2 or later) G.711, G726
------------------------------	----------------------------------------------------------------

Live View

Display Mode	Live View/Playback/Full Screen
Split Screen	1/4/9 (My Favorite mode)/16
Full Screen	1/4/16
PTZ Support	Virtual PTZ Panel/Auto Pan/Preset Point/Preset Sequence/ Digital PTZ
Sequence Mode	Sequence All/Manually Selected cameras in 1/4 split view with configurable timer
Snapshot	Video snapshot in JPEG format
E-Map Monitor	Motion Detected Event Display on E-Map/Google Map
Mobile Device	Live image view through mobile device's web browser Support iPhone/Blackberry/WinMo 6.5/Symbian S60

Playback

Split Screen	1/4
Search Method	Time/Date, Event
Playback Controls	Play/Pause/Stop/Forward/Reverse/Speed Adjust/Frame by Frame
Export AVI	Export Playback Videos to Local Computer in AVI Format

Recording

Capacity	Depends on hard disk
Recording Mode	Manual/Continuous/Scheduling/Event
Scheduling Types	Manual Select/Profile-based/Weekly Mode
Max. Recording Throughput	30Mbps

Network

Protocols	HTTP/SMTP/DHCP/ARP/NTP/DNS/UPnP/FTP
Streaming Protocols	Depend on the supported cameras

User Management

Management	User/Group
Number of Groups	7 (Administrator/Guest/User Define * 5)
Privileges	Live View/Playback/System Configurations/Camera Configurations/Recording Configuration/Event Configuration/ Maintenance

Triggers & Events

Events	<i>System Events</i> -- System Start/Shutdown, System Settings modified, Camera Settings Modified, Start Recycle, Disk Full <i>Camera Events</i> -- Motion/Sensor Detection
Event Actions	Mail/FTP/Buzzer/Record
Event Recording	Pre/Post Event Settings

Power & Storage

UPS	Support External UPS System (firmware v1.2 or later)
Storage	Support SATA x 2, Max. 1.5TB per drive

Logs

Log Types	Alert/Event/User Access
------------------	-------------------------

Systems

Mini. Hardware Requirements	CPU: Intel Core 2 Duo @ 2.4 Ghz or higher RAM: 1GB or above Network: 100 Megabit Network Interface or above
Mini. Software Requirements	IE Browser version 7 or above

General

Languages	English/Trad. Chinese/Simp. Chinese/Japanese/Spanish/Italian/German/Danish/Czech/Polish/French/Russian/Slovensky/Hungarian/Portuguese
Packaging	NVR16CH (HD NOT included)/CD with Software tool/ Datasheet/Quick Guide/User's Manual/Warranty Card/ Power Adapter