

P-463T

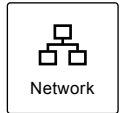
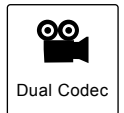
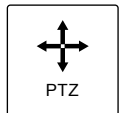
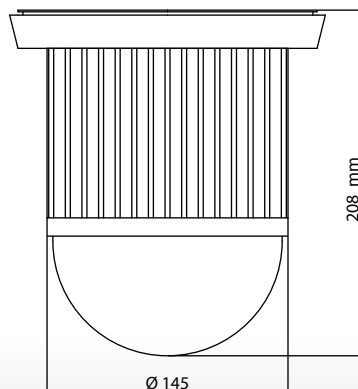
Day & Night Intelligent IP Fast Speed Dome



MAIN FEATURES

- Object tracking function
- Built-in web server enables remote monitoring and configuration
- Remote controlling Pan/Tilt/Zoom function
- Auto focus lens - Built-in 25X optical zoom lens, focal length 3.8~95mm
- 360 degree horizontal pan
- 128 program-able preset points
- Auto scan preset point function
- 6 sets DI, 1 set DO
- Realtime recording
- Intelligent event trigger management
- Support DDNS for dynamic IP application
- Embedded with intelligent DSP tracking chipset, auto search moving object, adjust Pan/Tilt/Zoom automatically to track the object

DIMENSION DIAGRAM



P-463T Day & Night Intelligent IP Fast Speed Dome

System	
System	32-Bit RISC Processor, 4MB Flash ROM, 32MB SDRAM
Video Compression	MPEG-4 Simple Profile (SP) / MJPEG, Dual Codec
Video Resolution	Full D1 (4SIF): NTSC = 720 x 480; PAL = 720 x 576 SIF: NTSC = 352 x 240; PAL = 352 x 288 QSIF: NTSC = 176 x 112; PAL = 176 x 144
Bit Rate	64K ~ 4M bits/sec (CBR/VBR configurable)
Video Control	Frame rate, Bit rate (Constant Bit Rate (CBR), Variable Bit Rate (VBR) w/ quality levels), Group of Pictures (GOP) size, Frame Sequence (I-Frame, I-Frame/P-Frame)
Image Adjustment	Brightness, Contrast, Hue, Saturation
Frame Rate	Up to 30(NTSC) / 25(PAL) frames per second
Event System Trigger Action	GPIN, Motion detection, GPOUT, FTP, Email and alert message
Network Interface	10/100 Base-T Ethernet
Protocols	TCP(UDP)/IP, ICMP, HTTP, TFTP, FTP, Telnet, SMTP, DHCP, NTP, DNS, DDNS, RTSP, RTP/TCP(UDP)
I/O Connectors	1x RJ-45 connector for Ethernet 1x BNC video output connector, CVBS 1.0Vpp/75Ω 1x line-in input 3.5mm jack 2x LEDs (Power status / Network) 1x Terminal Block: 6x fully opto-isolated sensor inputs, 1x relay output 2x RS-485 COM ports (1 in, 1 out) for external keyboards or daisy-chain (supports up to 64 serial-linked cameras)

PTZ Mechanism	
Pan Travel	360° Continuous
Tilt Travel	-5° ~ +95°
Pan/Tilt Accuracy	±0.25°
Manual Pan/Tilt Speed	0.18° ~ 180° / sec
Preset Pan/Tilt Speed	1° ~ 255° / sec
Preset Dwell Time	0 ~ 255 sec
Preset Positions	128 preset positions
Preset Group	4 Group (Corresponding with first 16 presets)
Instant Flip	180°
Preset Recall Speed	360° / sec
Alarm Trigger Speed	360° / sec
Address Setting	1 - 64 ID setting
Control Interface	RS-485
Cable Requirement	UL 24AWGx2C Twist Pair (recommended)
Alarm Response Mode	Lock or Release Mode
Operation Setting	Web-based User Interface / On Screen Setup Menu

Camera	
System	NTSC, PAL
Video	Color / Mono
Optical Zoom	25X
Digital Zoom	N/A
Image Device	[ExView HAD CCD], 1/4" Interline Transfer CCD
Total Pixels	NTSC: 768(H) x 494(V), 380K; PAL: 752(H) x 582(V), 440K
Scanning System	NTSC: 2:1 Interlace, 525 lines, 60 fields / Sec; PAL: 2:1 Interlace, 625 lines, 50 fields / Sec
Horizontal Resolution	480 TV Lines (Color); 570 TV Lines (Monochrome)
Horizontal & Vertical Synchronization	NTSC: 15.734KHz, 60Hz PAL: 15.625KHz, 50Hz
Synchronization	Internal
Minimum Illumination	Mono: 0.01 Lux at F1.6; Color: 0.1 Lux at F1.6
Color / Mono Switch	ON (Color) OFF (Monochrome)
(IR Cut Filter)	Auto (When light drops below 3 Lux, auto switch from color to mono)
S/N Ratio	More than 50dB (AGC Off)
Auto Gain Control	8dB(Low), 22dB(Medium), 36dB(High)
Back Light Compensation	ON(Background Video Level Adjustable) / OFF
BLC Zone	Top, Bottom, Left, Right, Center
Sensitivity Enhancement	ON / OFF / Auto
White Balance	Auto Correction, Auto Tracking, Fix (Indoor/Outdoor)
Iris Control	Auto / Manual (Fast or Medium speed)
Video Focus	Auto / One Shot / Manual, 0.07m (Wide) ~ 1m (Tele)
Flickerless	ON / OFF
Gamma Adjustment	8 Levels
Contrast Adjustment	16 Levels
Tracking	ON/OFF

Optical Lens	
Lens Speed	Tele ~ Wide: 3.5 Sec (Fast), 6 Sec (Medium), 52 Sec (Slow)
Focal Length	3.8 ~ 95mm
Aperture (F)	F1.6(wide) – F3.7(telephoto)
Angle Field of View	Wide: 39.2° (V) 51.9° (H); Tele: 1.6° (V) 2.2° (H)
Aperture Correction	Horizontal & Vertical Aperture Correction Slice Level: 16 Levels Vertical Aperture Correction Slice Level: 8 Levels Horizontal Aperture Correction (Low Band) gain Level: 4 Levels Horizontal Aperture Correction (High Band) Gain Level: 4 Levels Vertical Aperture Correction Gain Control: 16 Levels Horizontal & Vertical Aperture Correction Gain: 16 Levels

Electrical	
Power Supply	AC/DC switching power adapter, input: AC100 ~240V, output: DC 12V/3.33A
Power Consumption	18W
RS-485 Voltage	5.6V
Alarm Input Voltage	5.6V
Alarm Output Voltage	0.5A 120Vac / 1A 24Vdc

Environmental	
Operation Temperature	-10°C ~ +50°C (14°F ~ 122°F)
Operation Humidity	0% ~ 90%

Mechanical	
Height	208 mm (8.3")
Diameter	145 mm (5.6")
Weight	2.5Kg (Fast Dome Alone); 5Kg (With External Housing)

External Housing	
Power Supply	24Vac or 90Vac ~ 260Vac (Option)
Input Voltage	12Vdc
Power Consumption	7.5W
Control Interface	RS-485 (1 Input / 1 Output)
RS-485 Voltage	5.6V
Alarm Input	6 Inputs (Pull up)
Alarm Input Voltage	5.6V
Alarm Output	1 Output (NC or NO mode)
Alarm Output Voltage	0.5A 120Vac / 1A 24Vdc
Operation Temperature	-20°C ~ +50°C
Operation Humidity	0% ~ 90%
Height	340 mm (13.4")
Diameter	250 mm (9.8")
Weight	2.5Kg (External Housing Alone); 5Kg (With Fast Dome)