

P-426 (PoE)

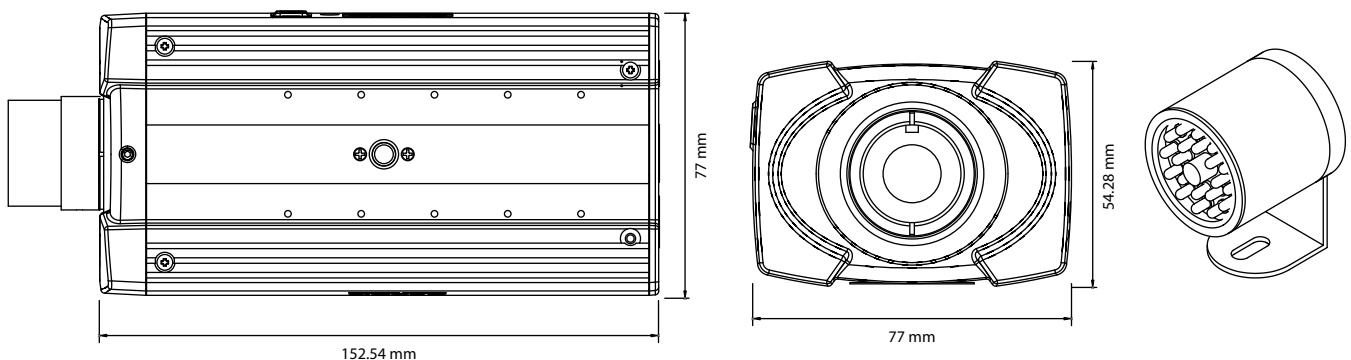
MPEG-4 10m IR Network Camera



MAIN FEATURES

- Day & Night functionality for 24-hours surveillance
- Infrared radiant distance up to 10 meters.
- Self-Contained HTTP Web Server providing Internet capability for remote access.
- MPEG-4 and MJPEG video compression formats.
- Supports up to 30/25 FPS at Full D1 resolution
- DDNS support for dynamic IP application.
- PoE models allow the camera to receive both data and power over a single Ethernet cable
- Built-in microphone to monitor the motor status
- Hardware watchdog providing robustness system in critical environment.

DIMENSION DIAGRAM



P-426 (PoE) MPEG-4 10m IR Network Camera



Specifications

System	32-Bit RISC Processor, 4MB Flash ROM, 32MB SDRAM	
Video Compression	MPEG-4 Simple Profile (SP) / MJPEG, Dual Codec	
Video Resolution	Full D1: NTSC = 720 x 480; PAL = 720 x 576 CIF: NTSC = 352 x 240; PAL = 352 x 288 QCIF: NTSC = 176 x 120; PAL = 176 x 144	
Bit Rate	64K ~ 4M bits/sec (CBR/VBR configurable)	
Frame Rate	Up to 30(NTSC) / 25(PAL)	
Image Device	1/3" Sony SuperHAD CCD	
Lens Type	DC-Iris F1.2~360 IR Lens, 4.0mm	
IR Radiant Distance	10 meters	
IR LED	840nm / 20Units, CDS Auto Control	
IR Cut Filter	Fixed IR Cut Filter	
Minimum Illumination	IR Off: 0.1 Lux @ F2.0	
Video Control	Frame rate, Bit rate (Constant Bit Rate (CBR), Variable Bit Rate (VBR) w/ quality levels), Group of Pictures (GOP) size, Frame Sequence (I-Frame, I-Frame/P-Frame)	
Image Adjustment	Brightness / Contrast / Saturation / Hue / AES / BLC	
Event System	Trigger	GPIN, Motion detection,
	Action	GPOUT, FTP, Email and alert message
Network Interface	10/100 Base-T Ethernet	
Protocols	TCP(UDP)/IP, HTTP, FTP, Telnet, SMTP, DHCP, NTP, DDNS, RTSP, RTP/TCP(UDP)	
Audio Capability	Built-in Microphone	
Power Supply	AC/DC switching power adapter, input: AC100 ~240V, output: DC 12V/1.5A Built-in PoE IEEE 802.3af (PoE model)	
Power Consumption	7.5W / 8.3W (PoE Model)	
Operation Temperature	0°C ~ 50°C	
Operation Humidity	20% ~ 80% RHG	
Dimension (L x W x H)	168mm x 77mm x 54mm	
Net Weight	750g (approximately)	
I/O Connectors	1 x Mini-DIN for RS-485 / Photo-coupled GPIN / Relay GPOUT / Video out 1 x Reset hole to restore factory defaults 1 x RJ-45 Ethernet connector 2 x LEDs ((power/status) 1 x DC In connector	
Package Contents	1 x CD (manual and software) 1 x Ethernet cable 1 x Mini Din to Terminal block extend cable 1 x Stand for mount 1 x ACDC Power Adapter (Not included for PoE model) 1 x IR illuminator 1 x CS Ring Tool	