

P-412

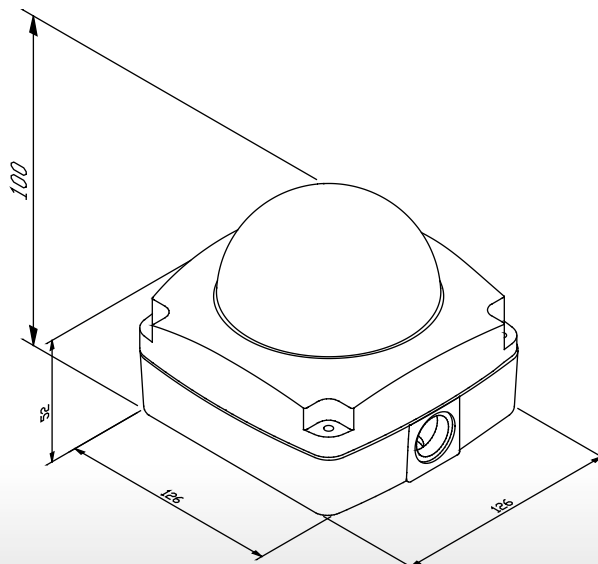
MPEG-4 Fixed IP Vandal Dome



MAIN FEATURES

- Self-Contained Web Server providing internet capability for remote access
- MPEG-4 / MJPEG dual streaming compression formats (to be firmware upgraded)
- Supports up to 30/25 FPS at Full D1 resolution
- Real-time video recording
- Supports SD card for local recording
- Supports full 2-way audio
- IR Cut Filter and 12 LED IR Illuminators
- Unbreakable housing with IP66 waterproof standard for Indoor / Outdoor usage
- Day & Night functionality for 24-hours surveillance
- Online firmware upgrade
- Supports DDNS for dynamic IP application
- Recorded file playable with Microsoft Windows Media Player
- Supports 3GPP protocol / WinCE cell phone (to be firmware upgraded)

DIMENSION DIAGRAM





Specifications

System	ARM 9, 32 bit RISC Processor, 8 MB Flash ROM, 64MB SDRAM	
Video Compression	MPEG-4 / M-JPEG dual streaming (to be firmware upgraded)	
Video Resolution	D1: NTSC = 720 x 480; PAL = 720 x 576 4CIF: NTSC = 704 x 480, PAL = 704 x 576 CIF: NTSC = 352 x 240; PAL = 352 x 288 QCIF: NTSC = 176 x 120; PAL = 176 x 144	
Bit Rate	32K ~ 2M bits/sec (CBR/VBR configurable)	
Frame Rate	Up to 30(NTSC) / 25(PAL)	
Image Device	1/3" Sony CCD	
Lens Type	Vari-focal auto iris 3.7~12 mm lens	
IR Radiant Distance	10 meters	
IR LED	IR LED Built-in	
IR Cut Filter	Removable IR Cut Filter	
Minimum Illumination	IR Off: 0.1 lux@F1.6	
Video Control	Frame rate, Bit rate (Constant Bit Rate (CBR), Variable Bit Rate (VBR) w/ quality levels), Group of Pictures (GOP) size, Compression Format, Dual Stream (to be firmware upgraded), 3GPP mode (to be firmware upgraded), RTSP Path	
Image Adjustment	Brightness / Contrast / Saturation / Hue / BLC	
Event System	Trigger	GPIN, Motion detection, Network Disconnected, Network IP Check
	Action	GPOUT, FTP, Email, Save to SD card
Local Storage	SD Slot	
Network Interface	10/100 Base-T Ethernet	
Protocols	HTTP, TCP/ IP, UDP, SMTP, FTP, PPPoE, DHCP, DDNS, NTP, 3GPP, UPnP	
Audio Capability	1 x input, 1 x output	
Power Supply	AC/DC switching power adapter, input: AC100 ~240V, output: DC 12V/1.25A	
Power Consumption	10.5W	
Water Proof Standard	IP66 Standard	
Operation Temperature	0°C ~ 45°C	
Operation Humidity	0% ~ 80%	
Dimension (L x W x H)	126mm x 126mm x 100mm	
Net Weight	1080 g	
I/O Connectors	1 x I/O Terminal connector 1 x Video Out connector 1 x RJ-45 Ethernet connector 1 x Microphone input 1 x SD slot 1 x Audio output 1 x DC In connector	
Package Contents	1 x CD (manual and software) 1 x Ethernet cable 1 x ACDC Power Adapter 1 x Tool Pack	