

P-410 / P-410W

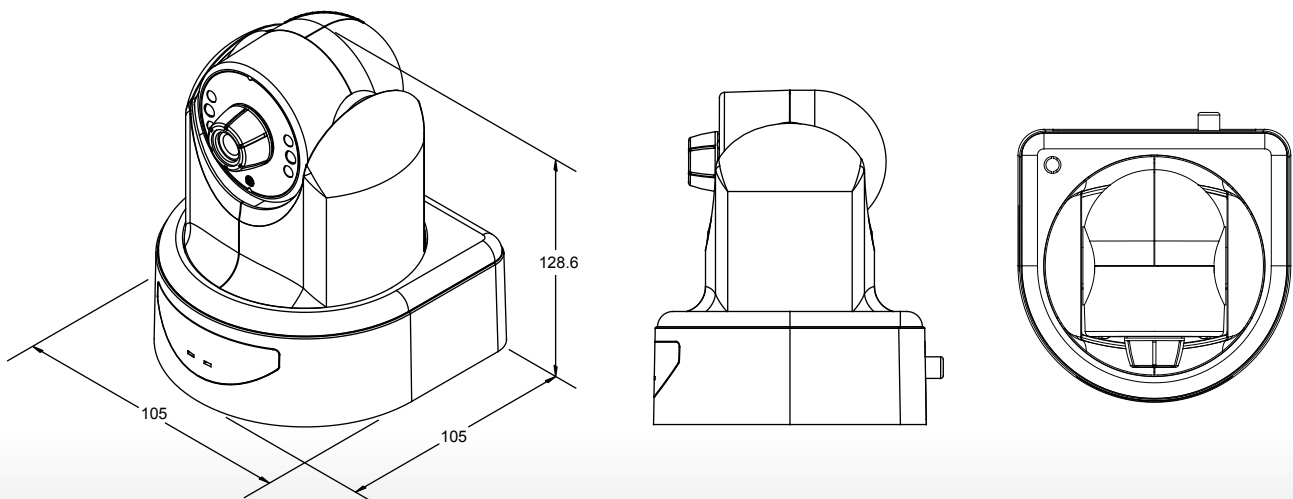
MPEG-4 Pan/Tilt Network Camera



MAIN FEATURES

- Self-Contained Web Server providing Internet capability for remote access
- Remote Pan / Tilt operation
- MPEG-4 / MJPEG dual streaming compression format
- Supports up to 30/25 FPS at Full D1 resolution
- Real-time video recording
- Supports SD card for local recording
- Supports full 2-way audio
- Online firmware upgrade
- Supports DDNS for dynamic IP application
- Recorded file Playable with Microsoft Windows Media Player
- Supports 3GPP protocol / WinCE cell phone

DIMENSION DIAGRAM



P-410 / P-410W MPEG-4 Pan/Tilt Network Camera

Specifications

System	ARM 9, 32 bit RISC Processor, 8 MB Flash ROM, 64MB SDRAM	
Video Compression	MPEG-4 / MJPEG dual streaming	
Video Resolution	D1: NTSC = 720 x 480; PAL = 720 x 576 4CIF: NTSC = 704 x 480, PAL = 704 x 576 CIF: NTSC = 352 x 240; PAL = 352 x 288 QCIF: NTSC = 176 x 120; PAL = 176 x 144	
Bit Rate	32K ~ 2M bits/sec (CBR/VBR configurable)	
Frame Rate	Up to 30 FPS	
Image Device	1/4" CCD	
Lens Type	Fixed Lens, Focal Length 3.6mm, F2.0	
Pan / Tilt Mechanism	Yes, Pan / Tilt angle: 270° / 120°	
Patrol	Yes (Once)	
Auto Pan	Yes (Once)	
Minimum Illumination	0.5 Lux@F2.0	
Video Control	Frame rate, Bit rate (Constant Bit Rate (CBR), Variable Bit Rate (VBR) w/ quality levels), Group of Pictures (GOP) size, Compression Format, Dual Stream, 3GPP mode, RTSP Path	
Image Adjustment	Brightness, Contrast, Hue, Saturation	
Event System	Trigger	GPIN, Motion detection, Network Disconnected, Network IP Check
	Action	GPOUT, FTP, Email, Save to SD card
Local Storage	SD Slot	
Network Interface	10/100 Base-T Ethernet IEEE 802.11b/g wireless LAN (Wireless model)	
Protocols	HTTP, TCP/ IP, UDP, SMTP, FTP, PPPoE, DHCP, DDNS, NTP, 3GPP, UPnP	
Audio Capability	1 x Built-in Microphone, 1 x Audio Input, 1 x Audio output	
Power Supply	AC/DC switching power adapter, input: AC100 ~240V, output: DC 5V/2A	
Power Consumption	17.2W / 19.8W	
Operation Temperature	0°C ~ 40°C	
Operation Humidity	0% ~ 80%	
Dimension (L x W x H)	128.6mm x 105mm x 105mm	
Net Weight	450 g	
I/O Connectors	1 x I/O Terminal block for GPIO 1 x RJ-45 Ethernet connector 1 x Built-in Microphone 1 x Audio Input; 1 x Audio output 1 x RCA Video out 1 x DC In connector	
Package Contents	1 x CD (manual and software) 1 x Ethernet cable 1 x ACDC Power Adapter 1 x Tool Pack 1 x Antenna (for P-410W) 1 x Bracket for ceiling mount	