

P-405 (W)

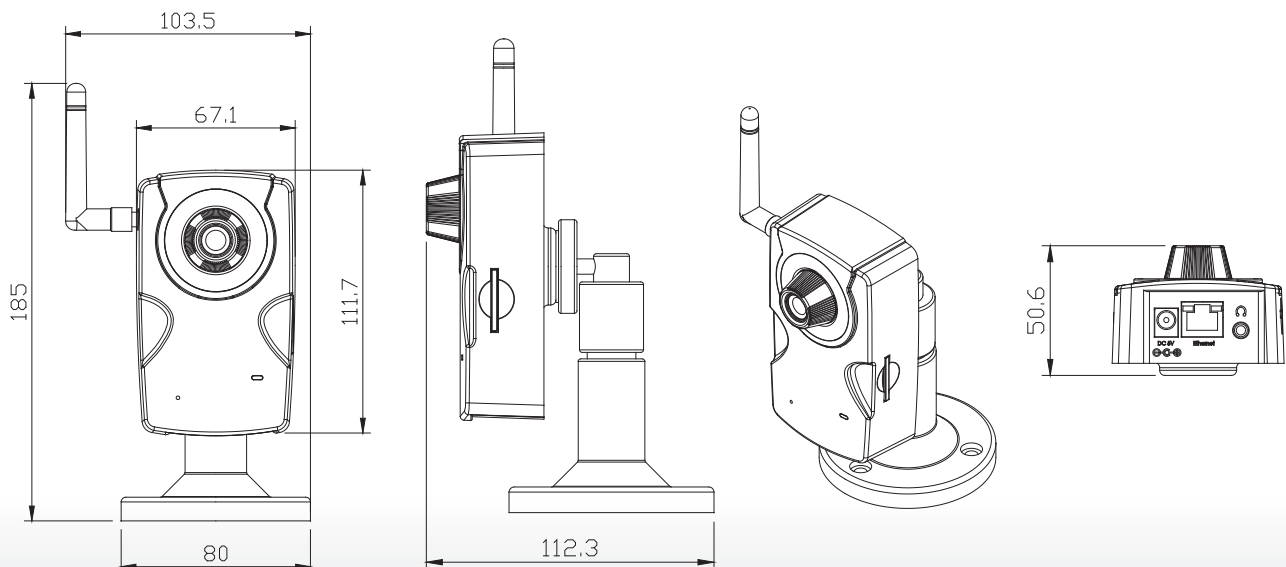
MPEG-4 Network Camera



MAIN FEATURES

- Supports up to 640x480 resolution
- Self-Contained Web Server providing ,Internet capability for remote access
- MPEG-4 compression
- Real-time video recording
- Supports SD card for local recording
- Supports full 2-way audio
- Optional Wireless network connection
- Online firmware upgrade
- Alarm I/O (1 Input /1 Output)
- Supports DDNS for dynamic IP application
- Recorded file playable with Microsoft Windows Media Player
- Supports 3GPP protocol / WinCE cell phone (to be firmware upgraded)

DIMENSION DIAGRAM



P-405 (W) MPEG-4 Network Camera

Specifications

System	ARM 9, 32 bit RISC Processor, 8 MB Flash ROM, 64MB SDRAM	
Video Compression	MPEG-4 compression	
Video Resolution	VGA: 640 x 480 QVGA: 320 x 240 QQVGA: 160 x 120	
Bit Rate	32K ~ 4M bits/sec (CBR/VBR configurable)	
Frame Rate	Up to 30 FPS	
Image Device	1/4" CMOS	
Lens Type	Fixed Lens, Focal Length 4.0mm, F2.0	
Minimum Illumination	1.0 Lux @ F2.0	
Video Control	Frame rate, Bit rate (Constant Bit Rate (CBR), Variable Bit Rate (VBR) w/ quality levels), Group of Pictures (GOP) size, Compression Format, Dual Stream, 3GPP mode (to be firmware upgraded), RTSP Path	
Image Adjustment	Brightness, Contrast, Hue, Saturation, AE Reference, Night Mode	
Event System	Trigger	GPIN, Motion detection, Network Disconnected, Network IP Check
	Action	GPOUT, FTP, Email, Save to SD card
Local Storage	SD Slot	
Network Interface	10/100 Base-T Ethernet IEEE 802.11b/g wireless LAN (Wireless model)	
Protocols	HTTP, TCP/ IP, UDP, SMTP, FTP, PPPoE, DHCP, DDNS, NTP, 3GPP (to be firmware upgraded), UPnP	
Audio Capability	1 x Built-in Microphone, 1 x Audio output	
Power Supply	AC/DC switching power adapter, input: AC100 ~240V, output: DC 12V/1A	
Power Consumption	3.9W / 4.9W (Wireless Model)	
Operation Temperature	0°C ~ 45°C	
Operation Humidity	0% ~ 80%	
Dimension (L x W x H)	111mm x 67mm x 51mm	
Net Weight	178 g	
I/O Connectors	1 x RJ-45 Ethernet connector 1 x Built-in Microphone 1 x Audio output 1 x Reset button 1 x DC In connector 1 x GPIO (1 x Alarm / 1 x Alarm)	
Package Contents	1 x CD (manual and software) 1 x Ethernet cable 1 x AC/DC Power Adapter 1 x Tool Pack 1 x Terminal Block 1 x Antenna (for P-405W) 1 x Stand	