

P-1502

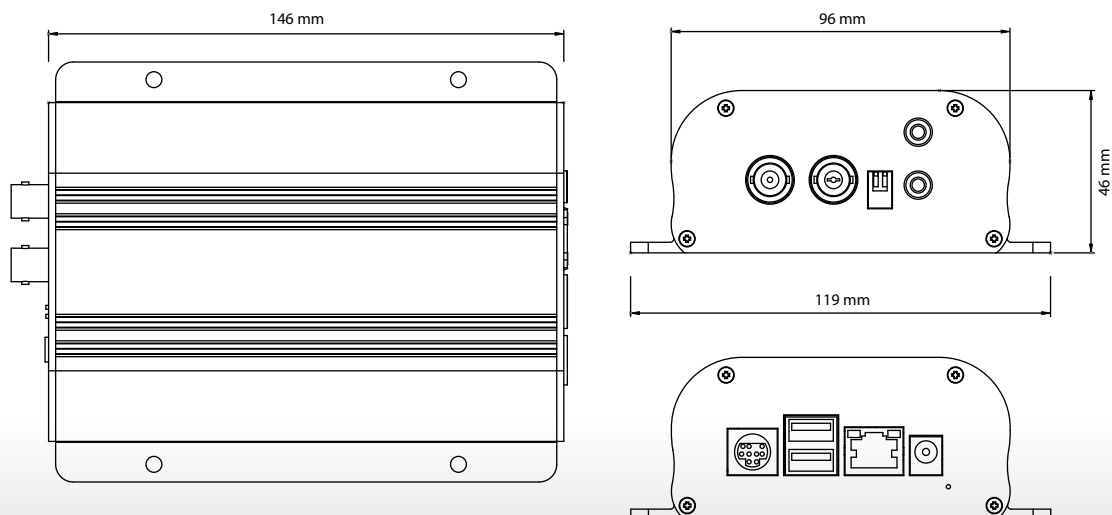
Dual Streaming Network Transceiver



MAIN FEATURES

- Self-Contained Web Server providing Internet capability for remote access
- Simultaneous MPEG-4 and MJPEG stream for multiple clients
- Support simultaneously encode and decode at 30 FPS(D1)
- Event handling trigger by alarm/motion and action to send video clip by Email / FTP
- Supports Peloco-P, Pelco-D, Pelco-D AV, Lilin, Dynacolor, Hiltron protocols, which enables to control kinds of PTZ cameras.
- Two USB 2.0 Host ports support external storage connection for local recording
- IP setup by easy IP Installer / DHCP / Static IP
- Supports DDNS for dynamic IP application
- Supports up to 30/25 FPS at Full D1 resolution
- NTP (network time server) with DST supported which provide accurate unify system time
- Wireless model supports IEEE 802.11b/g wireless network via USB port
- Hardware watchdog providing robustness system in critical environment
- Support RTSP (Real time streaming protocol), users can remote monitoring real time video through 3G cell phone.
- Network throughputs up to 32Mb/sec, MPEG-4/2Mbps setup, simultaneously support 16 client connections with full D1 resolution; CIF/512Kbps setup, simultaneously support 60 client connections, each connection can still maintain 30fps.

DIMENSION DIAGRAM



P-1502 Dual Streaming Network Transceiver



Specifications

Video Compression	MPEG-4 (ASP/SP) / MJPEG, Dual streaming	
Performance	Network throughput->Max up to 32M bits per second	
Video Resolution	Full D1: NTSC = 720 x 480; PAL = 720 x 576 Half D1: NTSC = 720 x 240; PAL = 720 x 288 CIF: NTSC = 352 x 240; PAL = 352 x 288	
Bit Rate	64K ~ 4M bits/sec (CBR/VBR configurable)	
Frame Rate	Up to 30 FPS(NTSC) / 25FPS(PAL)	
Video Control	Dual-Stream independent configuration on Stream format, Resolution and Video configuration. Schedule (Day/Night/Weekend) configurations of Frame rate, Video Mode (VBR/CBR adjustment for Video Quality/Bit rate levels respectively), Event actions and settings.	
Analog Video Input / Output	2 x BNC (1 video input, 1 x video out)	
Pan / Tilt / Zoom control	Yes, supports Peloco-P, Pelco-D, Pelco-D AV, Lilin, Dynacolor, Hiltron protocols	
Event System	Trigger	GPIN, Motion detection at specified day/night/weekend
	Action	GPOUT, FTP, Email and alert message
Local Storage	Support schedule / event recording via external USB2.0 port	
Network Interface	10/100 Base-T Ethernet Optional IEEE 802.11b/g wireless LAN via USB (to be upgraded)	
Protocols	TCP(UDP)/IP, HTTP, FTP, SMTP, DHCP, NTP, DNS, DDNS, RTSP, RTP/TCP(UDP), PPPoE	
Audio Capability	1x 3.5mm Line in jack, 1x 3.5mm Line out jack	
Power Supply	AC/DC switching power adapter, input: AC100 ~240V, output: DC 12V/1.5A	
Power Consumption	7W	
Operation Temperature	0°C ~ 50°C	
Operation Humidity	20% ~ 80% RHG	
Dimension (L x W x H)	142mm x 119mm x 46mm	
Net Weight	510 g (approximately)	
I/O Connectors	2 x BNC connectors for analog video in / out 2 x Line jacks (Audio In/Out) 2 x USB 2.0 Host ports for external storage or USB wireless LAN (to be firmware upgraded) 1 x Mini-DIN for RS-485 / Photo-coupled GPIN / Relay GPOUT / Video out 1 x Reset hole to restore factory defaults 1 x RJ-45 Ethernet connector with 2 LEDs (power/status) 1 x DC In connector	
Software	Free bundle software	
Package Contents	1 x CD (manual and software) 1 x Ethernet cable 1 x Mini Din to Terminal block extend cable 1 x AC/DC Power Adapter	