

# P-1500

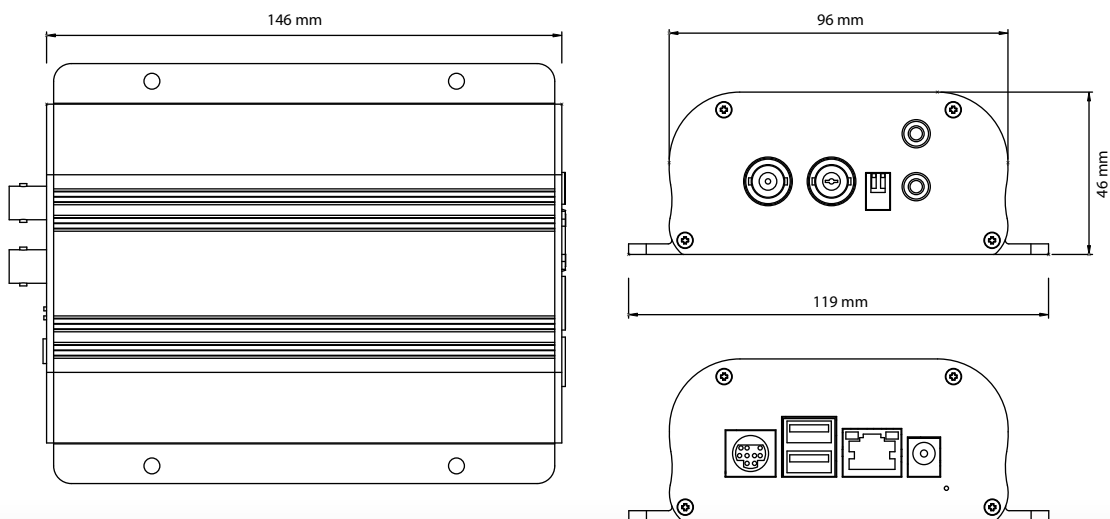
## Dual Streaming Network Video Server



### MAIN FEATURES

- Self-Contained Web Server providing Internet capability for remote access
- MPEG-4 ASP / MJPEG dual compression formats
- Simultaneous MPEG-4 and MJPEG stream for multiple clients
- Supports up to 30/25 FPS at Full D1 resolution
- Event handling trigger by alarm/motion and action to send video clip by Email / FTP
- Supports DDNS for dynamic IP application
- Two USB 2.0 Host ports support external storage
- IP setup by easy IP Installer / DHCP / Static IP / PPPoE
- NTP (network time server) with DST supported which provide accurate unify system time
- Hardware watchdog providing robustness system in critical environment

### DIMENSION DIAGRAM



# P-1500 Dual Streaming Network Video Server



## Specifications

System	Embedded Linux, 32-Bit RISC Processor, 8MB Flash ROM, 64MB SDRAM
Video Compression	MPEG-4 ASP / MJPEG, Dual streaming
Video Resolution	Full D1: NTSC = 720 x 480; PAL = 720 x 576 Half D1: NTSC = 720 x 240; PAL = 720 x 288 CIF: NTSC = 352 x 240; PAL = 352 x 288
Frame Rate	Up to 30(NTSC) / 25(PAL)
Analog Video Input / Output	2 x BNC (1 video input, 1 x video out)
Pan / Tilt / Zoom Control	Yes, supports Peloco-P, Pelco-D, Lilin, Dynacolor protocols
Event System	Trigger: GPIN, Motion detection Action: GPOUT, FTP, Email and alert message
Local Storage	Support schedule / event recording via external USB2.0 port
Network Interface	10/100 Base-T Ethernet Optional IEEE 802.11b/g wireless LAN via USB (to be upgraded)
Protocols	TCP(UDP)/IP, HTTP/HTTPS, FTP, PPPoE, SMTP, DHCP, NTP, DDNS, RTSP, RTP/TCP(UDP)
Audio Capability	1x 3.5mm Line in Jack, 1x 3.5mm Line out jack
Power Supply	DC switching power adapter, output: DC 12V/1.5A Optional built-in PoE IEEE 802.3af
Operation Temperature	0°C ~ 50°C
Operation Humidity	20% ~ 80% RHG
Dimension (L x W x H)	119mm x 142mm x 46mm
Net Weight	510 g (approximately)
I/O Connectors	2 x BNC connectors for analog video in / out 2 x USB 2.0 Host ports for external storage 1 x Mini-DIN for RS-485 / Photo-coupled GPIN / Relay GPOUT / Video out 1 x Reset hole to restore factory defaults 1 x RJ-45 Ethernet connector with 2 LEDs (power/status) 1 x DC In connector
Package Contents	1 x CD (manual and software) 1 x Ethernet cable 1 x Mini Din to Terminal block extend cable 1x Stand for mount 1 x ACDC Power Adapter (Not included with PoE model)