

MPEG4/MJPEG Network Camera P505

Quick Installation Guide

1 Getting Started

Package Contents

Check the items contained in the package carefully. You should have the following items. Once any item contained is damaged or missing, contact the authorized dealer of your locale.

- One MPEG4/MJPEG Network Camera
- One AC Power Adapter
- One External Antenna (for wireless model)
- One Camera Stand
- One Ethernet Cable (RJ-45 type)
- One Installation CD-ROM
- One *Quick Installation Guide*

System Requirement

■ Networking

LAN: 10Base-T Ethernet or 100Base-TX Fast Ethernet

WLAN: IEEE 802.11b/g (for wireless model)

■ Accessing the Camera using Web Browser

Platform: Microsoft® Windows® 2000/XP/Vista

CPU: Intel Pentium III 800MHz or above

RAM: 512MB

Resolution: 800x600 or above

User Interface: Microsoft® Internet Explorer 6.0 or above

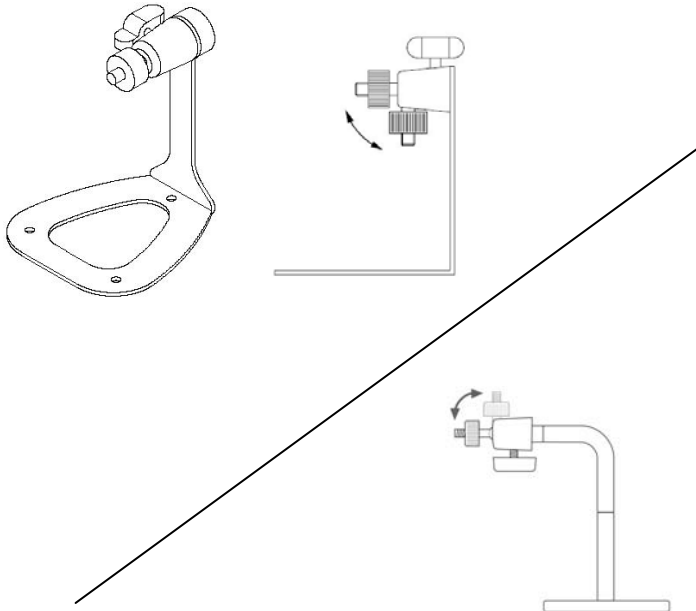
Mozilla Firefox 2.00 or above

Apple Safari 2 or above

2 Setting Up the Camera

Installing the Camera Stand

The camera comes with a camera stand, which uses a swivel ball screw head to lock to the camera's screw hole. When the camera stand is attached, you can place the camera anywhere by mounting the camera through the three screw holes located in the base of the camera stand.



The Camera Stand

Connecting the Camera to LAN

Use the provided Ethernet cable to connect the camera to your local area network (LAN).

When you connect the AC power adapter, the camera is powered on automatically. You can verify the power status from the Power LED on the front panel of the camera.

Once connected, the Link LED starts flashing green light and the camera is on standby and ready for use now.

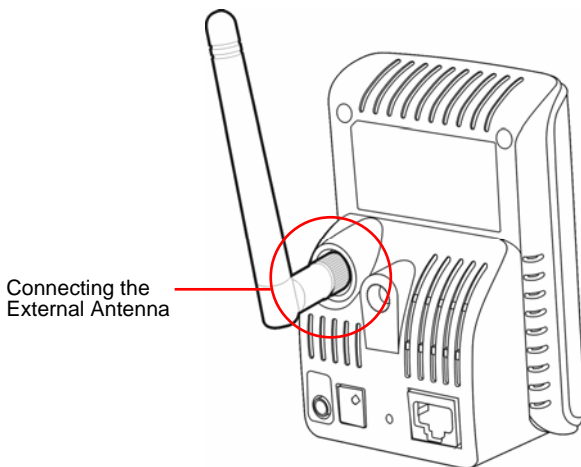


Connecting the Ethernet Cable

Connecting the Camera to WLAN

If you use a wireless network in your application environment, you need to attach the included external antenna to the camera.

When the camera is powered on, the camera will automatically search any access point with “default” SSID.

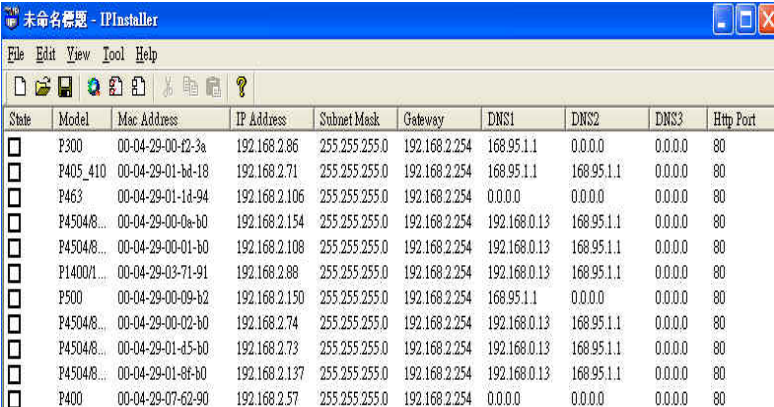


NOTE If the camera cannot to your wireless network, you need to install the camera in LAN and proceed with WLAN settings.

3 Accessing the Camera

Using IP Installer

1. Insert the Installation CD-ROM into your computer's CD-ROM drive to initiate the Auto-Run program.
2. Click the **IP Installer** item to launch the utility. The control panel will appear as below.



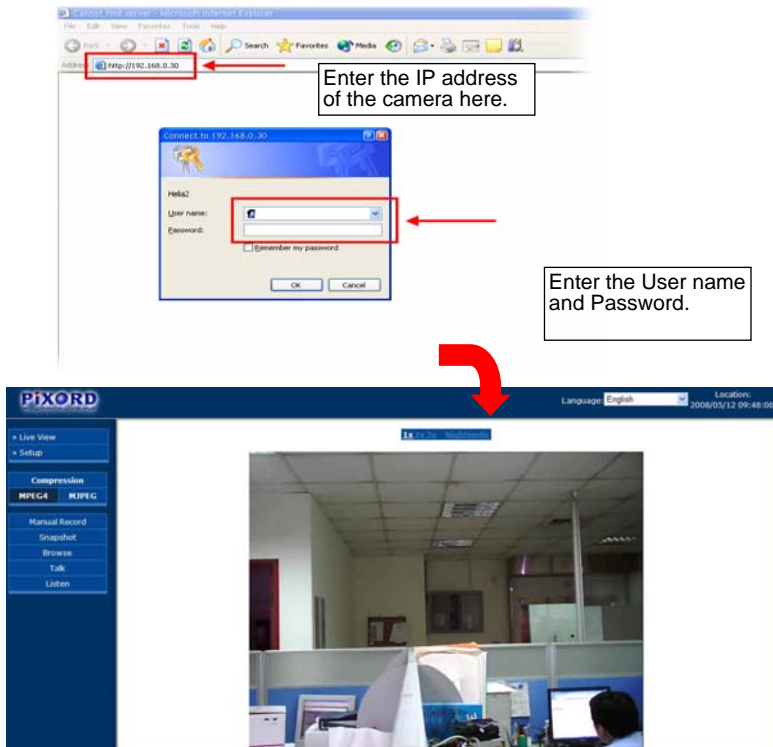
State	Model	Mac Address	IP Address	Subnet Mask	Gateway	DNS1	DNS2	DNS3	Http Port
<input type="checkbox"/>	P300	00-04-29-00-f2-3a	192.168.2.86	255.255.255.0	192.168.2.254	168.95.1.1	0.0.0.0	0.0.0.0	80
<input type="checkbox"/>	P405_410	00-04-29-01-bd-18	192.168.2.71	255.255.255.0	192.168.2.254	168.95.1.1	168.95.1.1	0.0.0.0	80
<input type="checkbox"/>	P463	00-04-29-01-1d-94	192.168.2.106	255.255.255.0	192.168.2.254	0.0.0.0	0.0.0.0	0.0.0.0	80
<input type="checkbox"/>	P45048...	00-04-29-00-0a-b0	192.168.2.154	255.255.255.0	192.168.2.254	192.168.0.13	168.95.1.1	0.0.0.0	80
<input type="checkbox"/>	P45048...	00-04-29-00-01-b0	192.168.2.108	255.255.255.0	192.168.2.254	192.168.0.13	168.95.1.1	0.0.0.0	80
<input type="checkbox"/>	P14001...	00-04-29-03-71-91	192.168.2.88	255.255.255.0	192.168.2.254	192.168.0.13	168.95.1.1	0.0.0.0	80
<input type="checkbox"/>	P500	00-04-29-00-09-b2	192.168.2.150	255.255.255.0	192.168.2.254	168.95.1.1	0.0.0.0	0.0.0.0	80
<input type="checkbox"/>	P45048...	00-04-29-00-02-b0	192.168.2.74	255.255.255.0	192.168.2.254	192.168.0.13	168.95.1.1	0.0.0.0	80
<input type="checkbox"/>	P45048...	00-04-29-01-d5-b0	192.168.2.73	255.255.255.0	192.168.2.254	192.168.0.13	168.95.1.1	0.0.0.0	80
<input type="checkbox"/>	P45048...	00-04-29-01-8f-b0	192.168.2.137	255.255.255.0	192.168.2.254	192.168.0.13	168.95.1.1	0.0.0.0	80
<input type="checkbox"/>	P400	00-04-29-07-62-90	192.168.2.57	255.255.255.0	192.168.2.254	0.0.0.0	0.0.0.0	0.0.0.0	80

3. Once you get the IP address of the camera, launch the Web browser to access your camera.

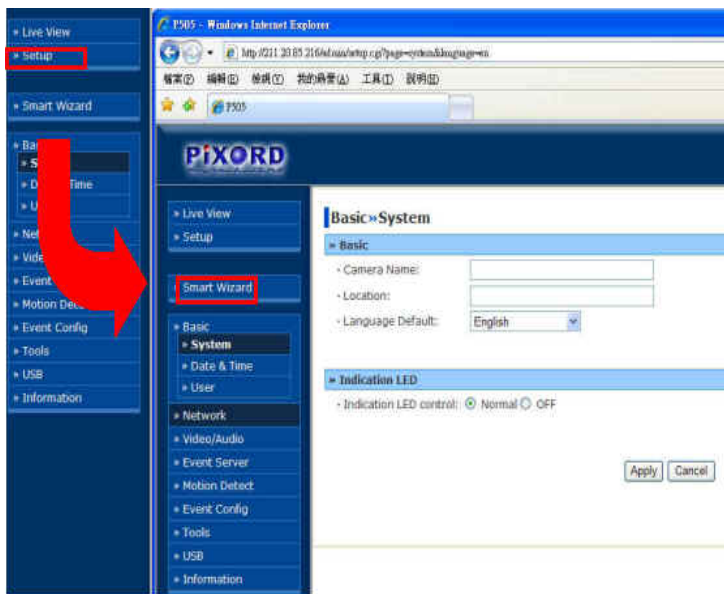
TIP The Installation CD-ROM provides a setup program that allows you to install IP Installer on your computer. To install IP Installer, click **Install Software** then select **IP Installer** on the Auto-Run screen.

Accessing to the Camera

1. Open the Web browser on your computer (for example, Microsoft Internet Explorer in this guide)
2. Type the default IP address (**192.168.0.30**) or the IP address found by IP Installer in the Address bar, and then press [Enter].
3. When the login window appears, enter the default User name (**admin**) and password (**admin**) and press **OK** to access to the main screen of the camera's Web Configuration.



4. Click **Setup** and then **Smart Wizard** to set up your camera quickly. The Smart Wizard will guide you through the necessary settings with detailed instructions on each step.



4 Tips

For more information, please refer to the *Advanced Installation Guide* on the provided Installation CD-ROM.

If you have any problem on the product(s), please contact your local authorized dealer.